



BULLPUP 12D

7000

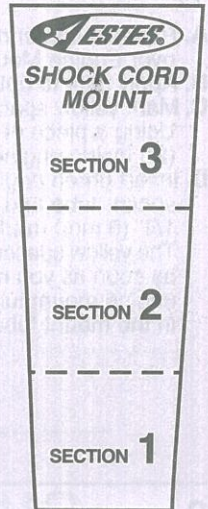
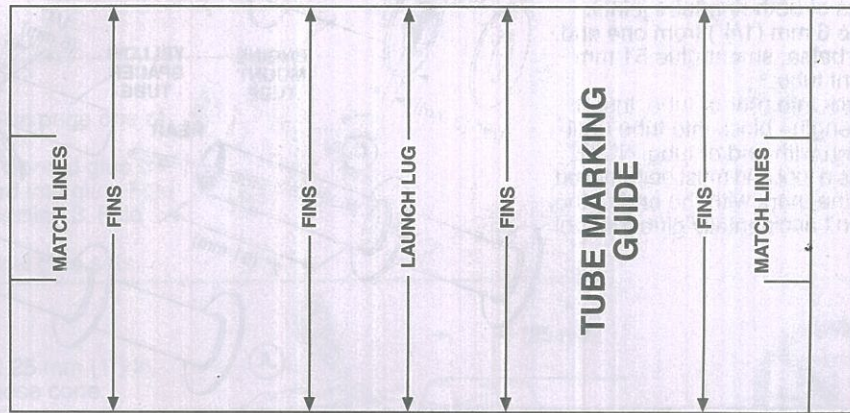
FLYING MODEL ROCKET KIT INSTRUCTIONS KEEP FOR FUTURE REFERENCE

www.estesrockets.com
ESTES-COX CORP.
1295 H Street
P.O. Box 227
Penrose, CO 81240-0227

PRINTED IN CHINA

ASSEMBLY TIP: Read all instructions before beginning work on your model. Make sure you have all parts and supplies.

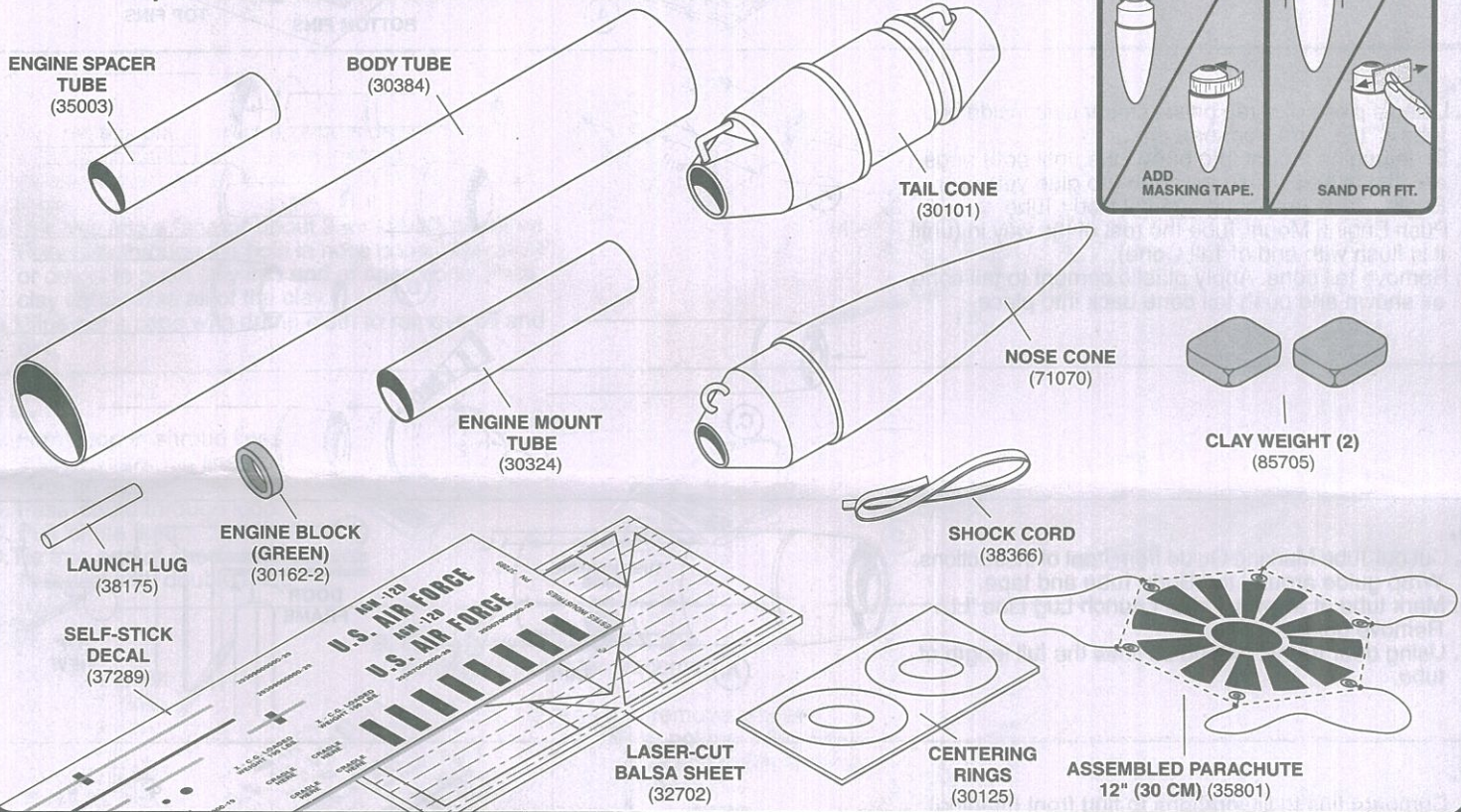
TEST FIT ALL PARTS TOGETHER BEFORE APPLYING ANY GLUE!
If any parts don't fit properly, sand as required for precision assembly.



HOW TO USE THESE INSTRUCTIONS: READ ALL INSTRUCTIONS BEFORE STARTING WORK ON THIS MODEL.

- A. Read each step first and visualize the procedure thoroughly in your mind before starting construction.
- B. Lay the parts out on the table in front of you. (Check inside tubes for any small parts.)
- C. Use the parts layout to match all parts contained in kit.
- D. Collect all construction supplies that are not included in this kit.
- E. Sand parts as necessary for proper fit.
- F. The construction supplies required for each step are listed at the beginning of each step.
- G. Check off each step as you complete it.

PARTS Locate the parts shown below and lay them out on the table in front of you. DO NOT USE THIS DRAWING TO ASSEMBLE YOUR ROCKET.



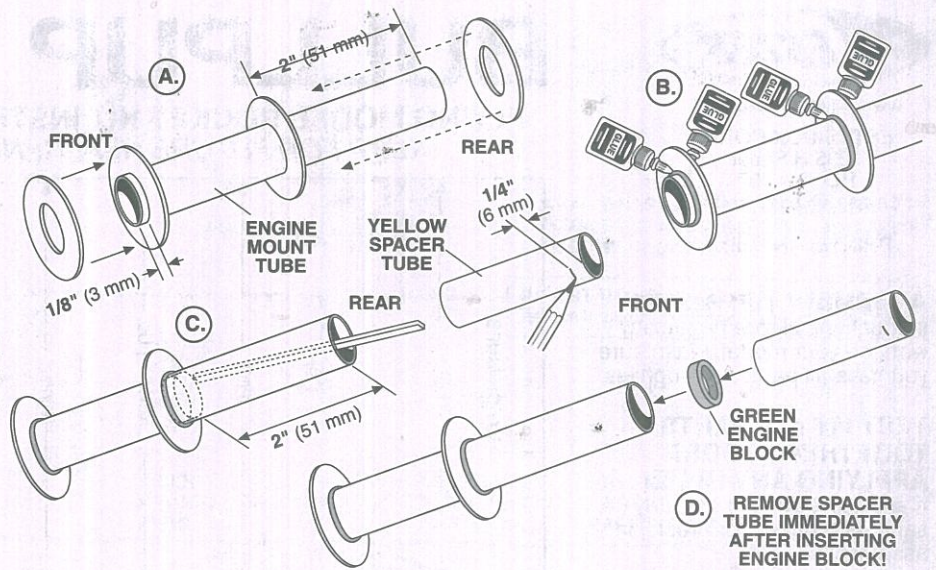
SUPPLIES In addition to the parts included in the kit you will also need:



ROCKET ASSEMBLY

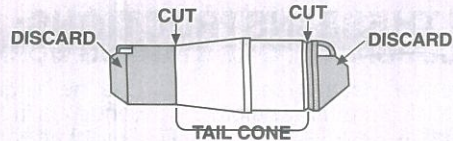
1.

- Remove centering rings from die-cut sheet. Slide over Engine Mount Tube as shown.
- Apply glue to both sides of both ring/tube joints.
- Mark yellow spacer tube 6 mm (1/4") from one end. Using a piece of scrap balsa, smear glue 51 mm (2") inside engine mount tube.
- Insert green engine block into rear of tube. Insert spacer tube and push engine block into tube until 1/4" (6 mm) mark is even with end of tube. **NOTE:** The yellow spacer tube is a tool and must be removed as soon as you match the mark with the end of the engine mount tube. Don't accidentally glue the tool in the mount tube.



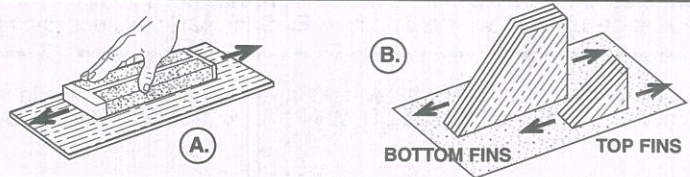
2.

- Locate the plastic tail cone.
- Cut the excess plastic parts off as indicated in diagram and discard.
- Sand front and rear of tail cone flat and remove any excess plastic with modeling knife.



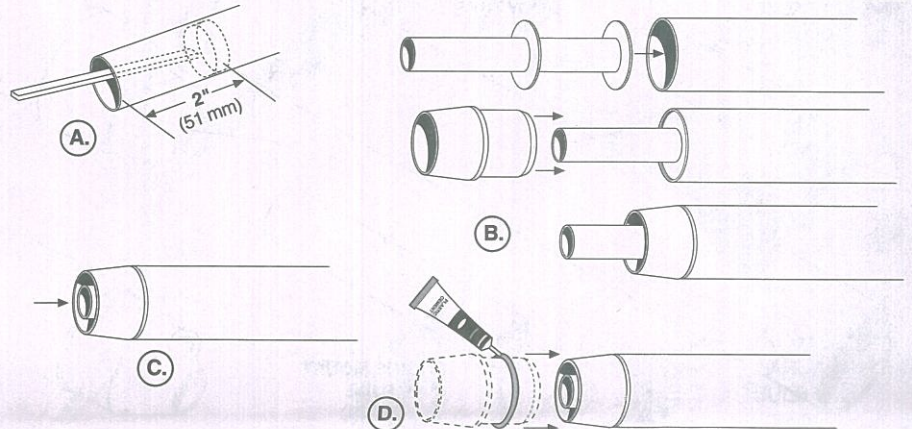
3.

- Fine sand balsa laser-cut sheet. Carefully remove fins by freeing edges with sharp knife.
- Stack fins together. Sand all edges smooth.



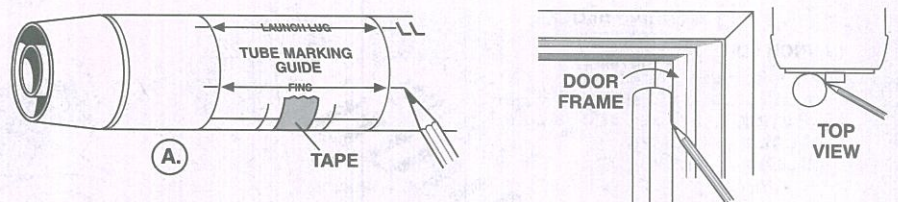
4.

- Using a piece of scrap balsa, smear glue inside body tube 2" (51 mm) from one end.
- Slide engine mount into body tube until both rings are inside tube. Push tail cone (no glue yet) over Engine Tube until snug against Body Tube.
- Push Engine Mount Tube the rest of the way in (until it is flush with end of Tail Cone).
- Remove tail cone. Apply plastic cement to tail cone as shown and push tail cone back into place.



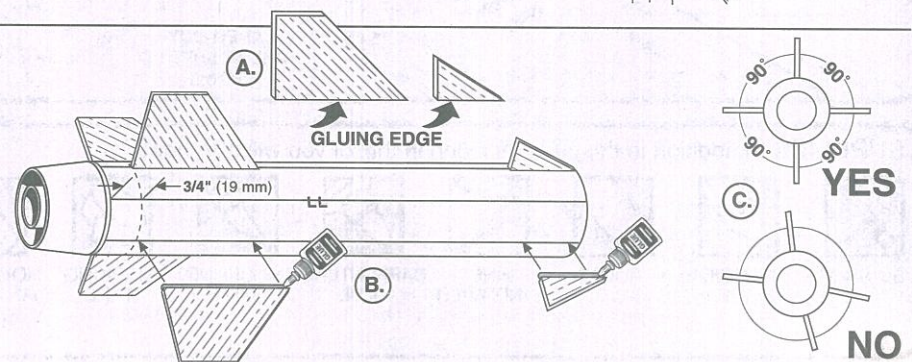
5.

- Cut out Tube Marking Guide from front of instructions. Wrap guide around the Body Tube and tape.
- Mark tube at arrows. Label Launch Lug Line 'LL'. Remove guide.
- Using door frame, extend all lines the full length of tube.



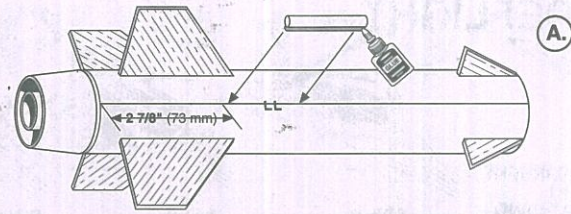
6.

- Compare fins to illustrations to find front (leading) and gluing (root) edges.
- Position and glue fins on alignment lines as shown, one at a time. Bottom fins should be positioned 19 mm (3/4") from end of body tube. Let each dry several minutes before applying the next one.
- Adjust fins to project straight out from tube.
- Do not set rocket on fins while glue is wet. **FINS MUST BE ATTACHED CORRECTLY FOR STABLE FLIGHT!**



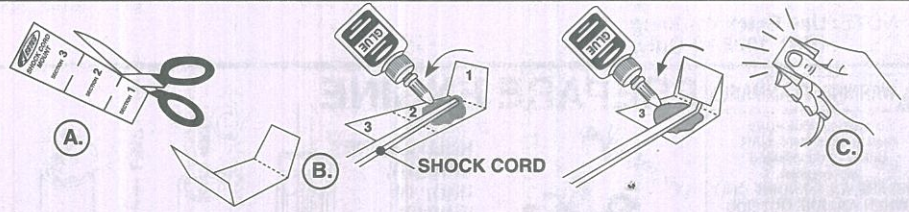
7.

- A. Glue launch lug straight on launch lug line with its rear edge 73 mm (2-7/8") from rear of tube.



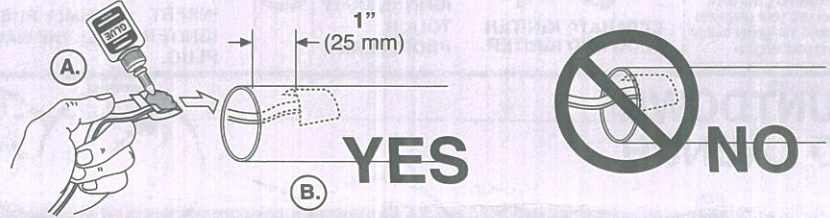
8.

- A. Cut out shock cord mount located on page one of the instructions.
- B. Crease on dotted lines by folding. Spread glue on section 2 and lay end of shock cord into glue. Fold over section 1 and apply glue to section 3. Fold forward again.
- C. Clamp unit together with fingers until glue sets.



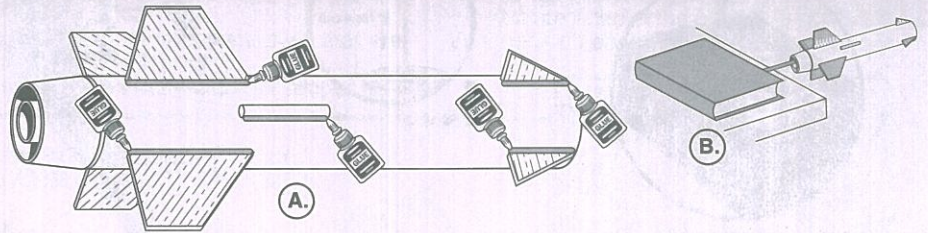
9.

- A. Apply glue to shock cord mount.
- B. Press mount into body tube about 25 mm (1") in from end of tube to allow for the nose cone.
- C. Hold until glue sets.



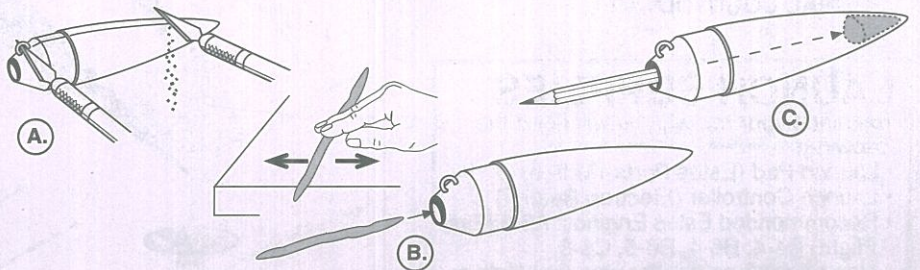
10.

- A. Apply a glue reinforcement to each fin/body tube joint and each side of launch lug. Smooth with finger.
- B. Support rocket as shown until glue dries.



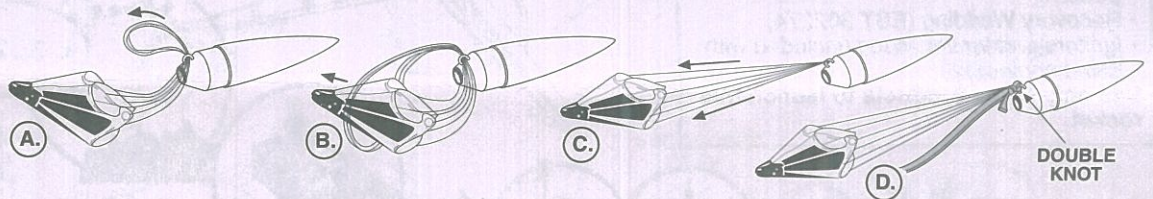
11.

- A. Trim excess plastic from around sides of nose cone with sharp knife. Remove any excess plastic from inside molded eyelet. Enlarge hole in rear of nose cone.
- B. Roll clay into a "snake" about 3 mm (1/8") diameter. Poke clay through the hole in nose cone. Use pencil or dowel to push clay into end of nose cone. Pack clay tightly. Use all of the clay.
- C. Wipe nose cone with damp cloth to remove oil and dirt.



12.

- A. Form loop in shroud lines and push shroud lines through eyelet.
- B. Pass chute through loop.
- C. Pull chute tight.
- D. Tie free end of shock cord to eyelet with double knot.



13.

- A. Peel one label at a time from the backing sheet and carefully apply to the model.

- B. Refer to the instructions and package photos for placement.

- C. You can remove any air bubble by poking a tiny hole in the label and gently rubbing the air bubble out.

- D. For best results spray a gloss or matte clear coat to your finished model. Allow the topcoat to dry 24 hours before flying.



FINISHING YOUR ROCKET

Spray a light coat of automotive primer over entire rocket. When primer is dry, lightly sand parts. Repeat sanding and priming until balsa grain lines are filled. Lightly sand (600 grit) when primer is dry. This allows the paint to adhere better and gives a smoother finish.

Spray paint the entire rocket gloss white. Follow instructions on spray can for best results. Allow paint to dry overnight before applying decals. Refer to photo on front of package for decal placement. To apply self-stick decals, simply peel self-stick decal from sheet and carefully apply to rocket. Repositioning the decals may remove the paint from the rocket.