



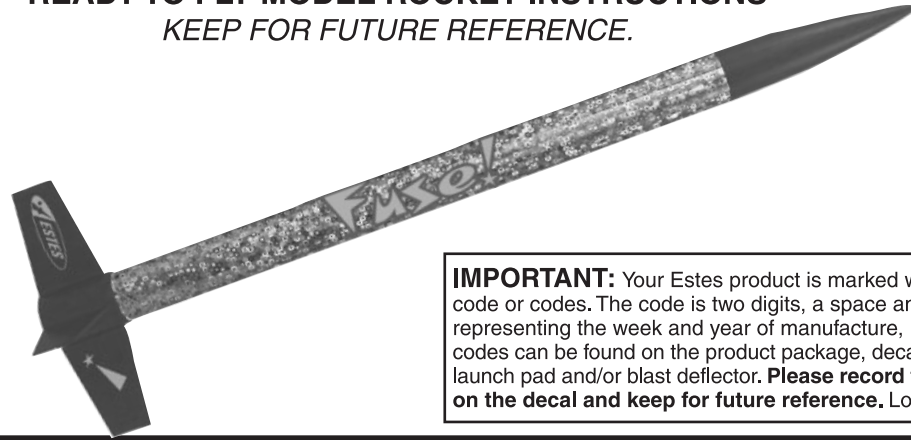
# Fuze™

#2451

ESTES-COX CORP.  
1295 H Street, PO Box 227  
Penrose, CO 81240-0227

## READY TO FLY MODEL ROCKET INSTRUCTIONS KEEP FOR FUTURE REFERENCE.

Printed in Guangdong, China

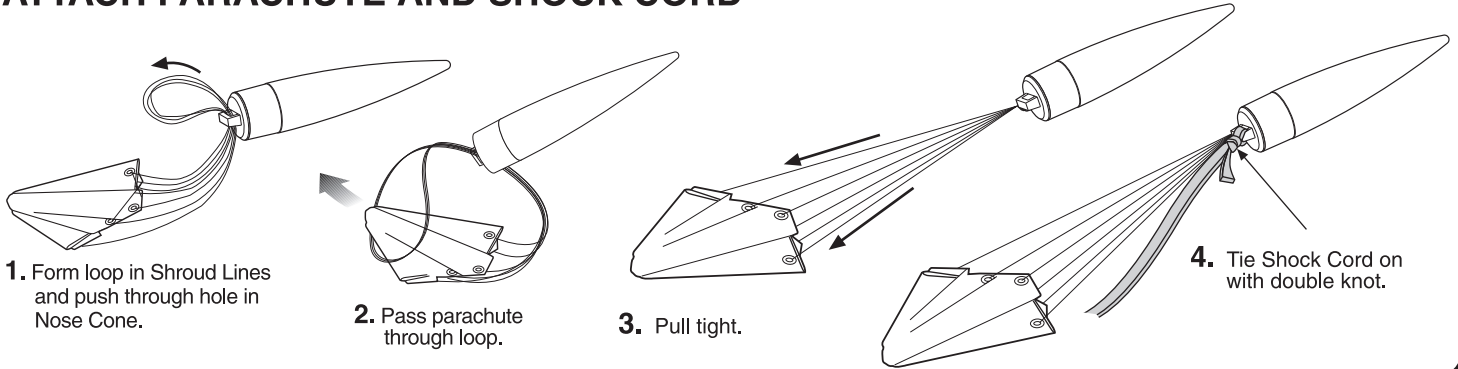


www.  
**estes**  
rockets  
.com

**LAUNCH TIP:** Read all instructions before launching your model. Make sure you have all supplies. Rocket color and shape may vary.

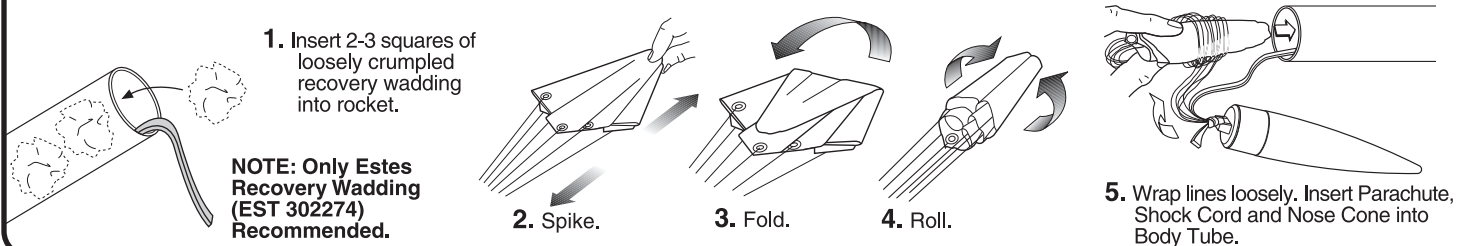
**IMPORTANT:** Your Estes product is marked with a four digit lot code or codes. The code is two digits, a space and two more digits representing the week and year of manufacture, respectively. Lot codes can be found on the product package, decal, launch controller, launch pad and/or blast deflector. **Please record the lot code found on the decal and keep for future reference.** Lot code: \_\_\_\_\_

### ATTACH PARACHUTE AND SHOCK CORD



### PREPARE PARACHUTE FOR FLIGHT

**NOTE:** Recovery wadding and parachute must slide easily into body tube. If too tight, redo.

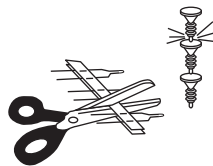


### ENGINE PREPARATION

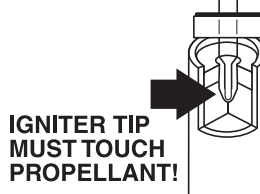
**⚠ WARNING: FLAMMABLE**

To avoid serious injury, read instructions & NAR Safety Code included with engines.  
**PREPARE ENGINE ONLY WHEN YOU ARE OUTSIDE AT THE LAUNCH SITE PREPARING TO LAUNCH!**  
If you do not use your prepared engine, remove the igniter before storing engine.

1. Separate igniter and igniter plug.



2. Insert igniter.



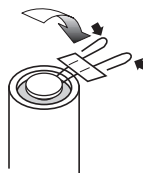
3. Insert plug.



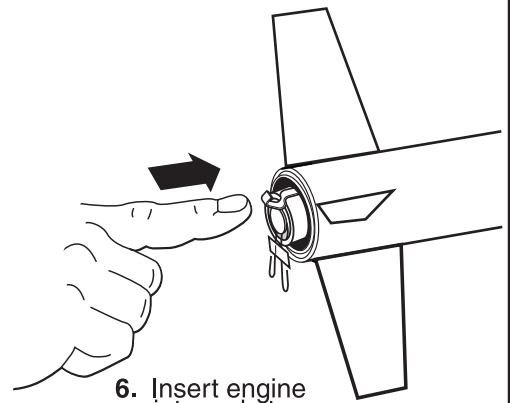
4. Push down.



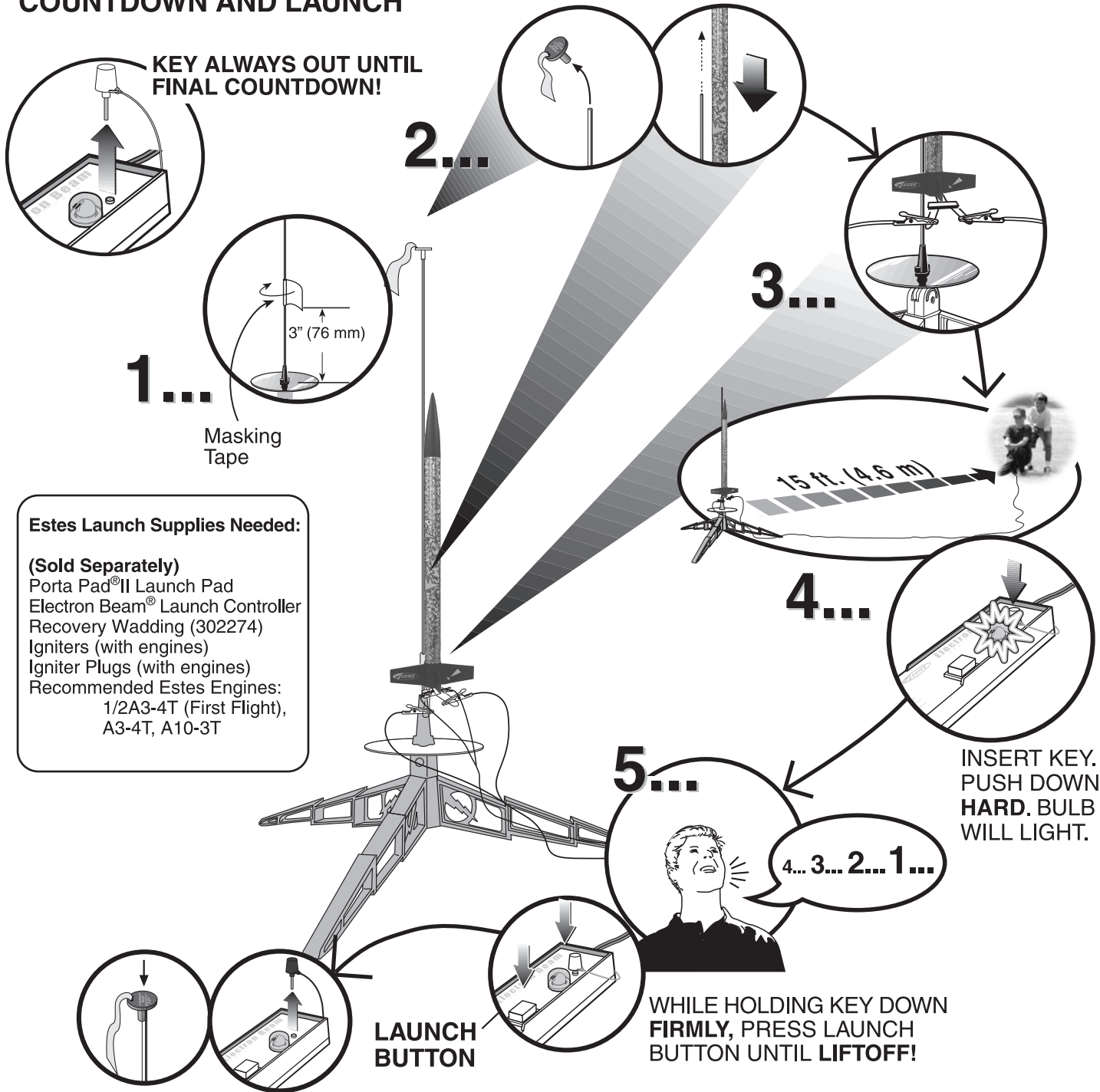
5. Gently bend igniters to form leads as shown.



6. Insert engine into rocket.



# COUNTDOWN AND LAUNCH



## PRECAUTIONS



NAR Safety Code

This Paper



Can Be Recycled



NO DRY GRASS OR WEEDS



## PRE-LAUNCH CHECK

For safety, never launch a damaged rocket. Check the rocket's body, nose cone and fins. Also, check the engine mount, recovery system and launch lug. Repair any damage before launching the rocket.

## FLYING YOUR ROCKET

Choose a large field (500 ft. [152 m] square) free of dry weeds and brown grass. The larger the launch area, the better your chance of recovering your rocket. Football fields and playgrounds are great. Launch only with little or no wind and good visibility.

Always follow the enclosed National Association of Rocketry (NAR) SAFETY CODE.

## MISFIRES

TAKE THE KEY OUT OF THE CONTROLLER. WAIT ONE MINUTE BEFORE GOING NEAR THE ROCKET! Disconnect the igniter clips and remove the engine. Take the plug and igniter out of the engine. If the igniter has burned, it worked but did not ignite the engine because it was not touching the propellant inside the engine. Put a new igniter all the way inside the engine without bending it. Push the plug in place. Repeat the steps under Countdown and Launch.