



www.estesrockets.com

ESTES-COX CORP.  
1295 H Street  
Penrose, CO 81240

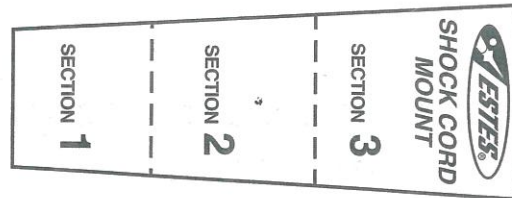
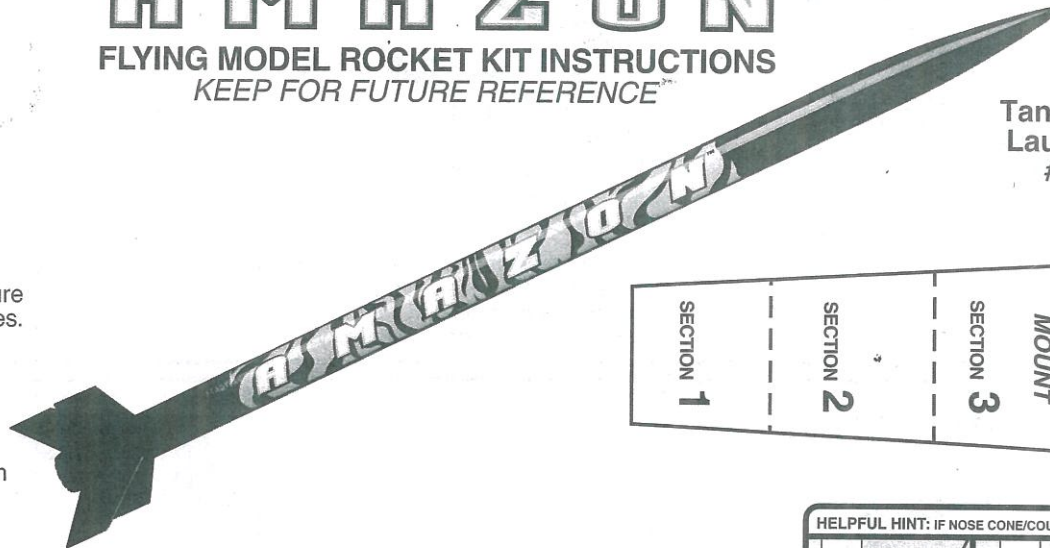
PRINTED IN CHINA

# AMAZON™

## FLYING MODEL ROCKET KIT INSTRUCTIONS

KEEP FOR FUTURE REFERENCE™

Tandem-X™  
Launch Set  
#1483

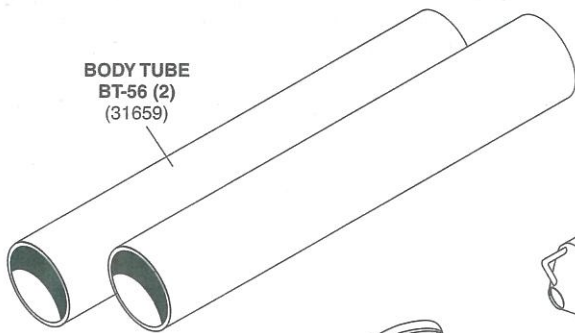


**ASSEMBLY TIP:** Read all instructions before beginning work on your model. Make sure you have all parts and supplies.

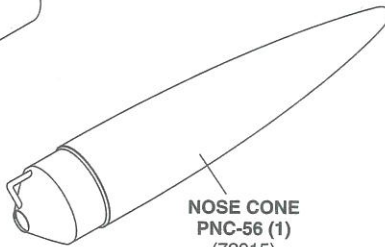
**TEST FIT ALL PARTS TOGETHER BEFORE APPLYING ANY GLUE!**  
If any parts don't fit properly, sand as required for precision assembly.

**PARTS** Locate the parts shown below and lay them out on the table in front of you. **DO NOT USE THIS DRAWING TO ASSEMBLE YOUR ROCKET.**

**BODY TUBE**  
BT-56 (2)  
(31659)



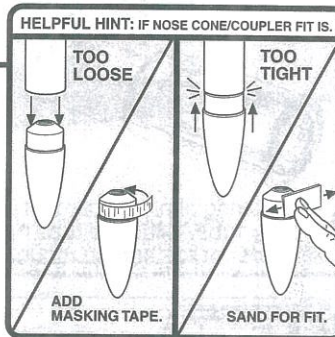
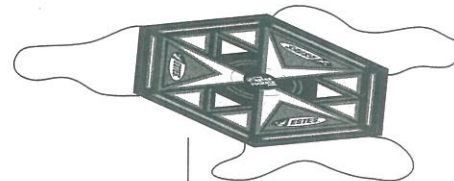
**NOSE CONE**  
PNC-56 (1)  
(72015)



**RUBBER SHOCK CORD**  
(1) 1/4" x 30"  
(38369)



**ASSEMBLED PARACHUTE**  
18" (46 CM) (1)  
(35802)



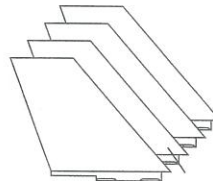
**DECAL SHEET (1)**  
(61174)



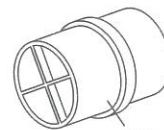
**PLASTIC PARTS (SUPPLIED AS A SET)**  
(61265)



**ENGINE MOUNT HALF A (1)**



**FINS (4)**



**TUBE COUPLER**



**ENGINE MOUNT HALF B (1)**



**ENGINE LOCK RING (1)**



**LAUNCH LUG (1)**

**SUPPLIES** In addition to the parts included in the kit you will also need:



**RULER**



**SCISSORS**



**FINE SANDPAPER**



**CARPENTER'S GLUE**



**MODELING KNIFE**



**MASKING TAPE**

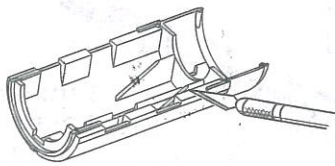


**PLASTIC CEMENT**

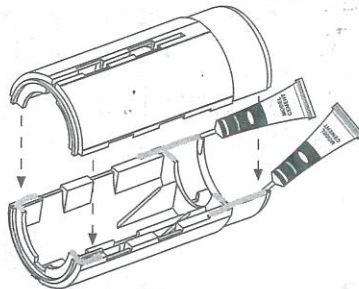


**CLEAR SPRAY COAT (OPTIONAL)**

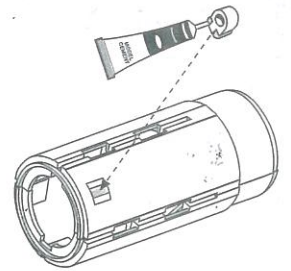
# 1. ASSEMBLE ENGINE MOUNT



A. Scrape flash (excess plastic) from edges of engine mount halves A and B.



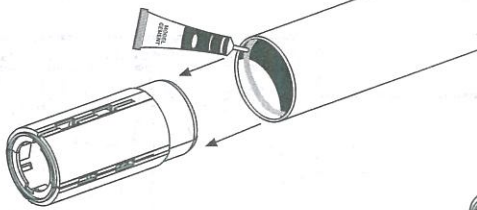
B. Cement the two plastic engine mount halves together. Remove any excess cement from fin slots. Hold until cement sets. Let cement dry completely.



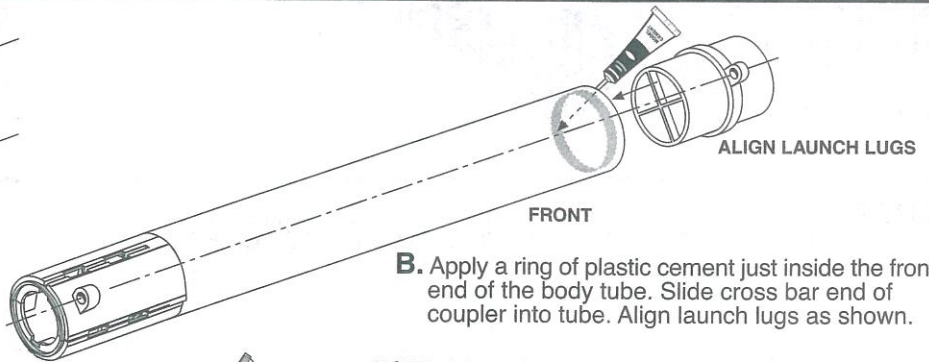
C. Cement a launch lug into the recessed area on engine mount as shown.

NOTE: Use only plastic cement for this step.

# 2. ASSEMBLE BODY TUBE

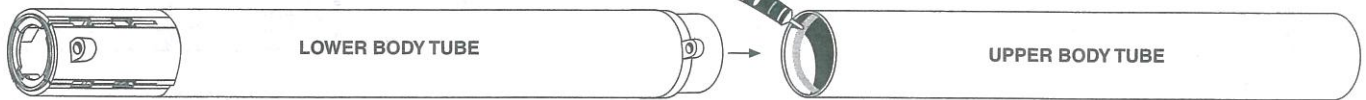


A. Apply a ring of plastic cement just inside a body tube. Slide the tube onto the shoulder of the engine mount.



B. Apply a ring of plastic cement just inside the front end of the body tube. Slide cross bar end of coupler into tube. Align launch lugs as shown.

NOTE: A launch rod may be inserted to assure alignment.



C. Apply a ring of plastic cement just inside the end of the other body tube. Slide the body tube into the tube coupler. Allow assembly to dry.



# 3. ATTACH SHOCK CORD



A. Cut out shock cord mount from FRONT PAGE.



B. Fold.



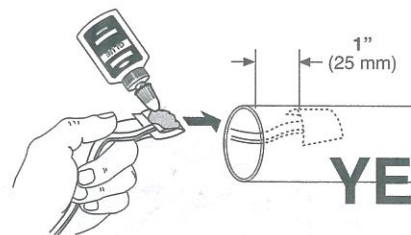
C. Apply glue. Fold forward.



D. Apply glue. Fold forward.



E. Squeeze tightly and hold for one minute.



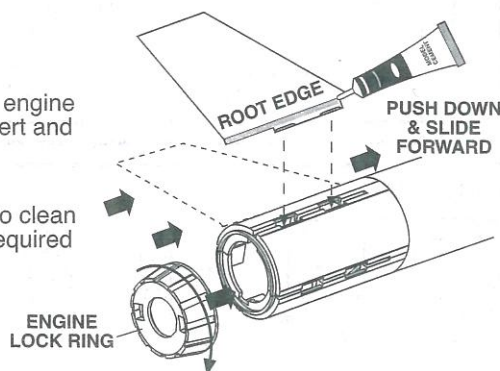
F. Glue mount 1" (25 mm) inside upper body tube. Hold until glue sets. Let dry.



# 4. ATTACH FINS

A. Test fit each fin into slots on engine mount to make sure fins insert and fit.

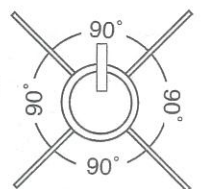
B. Use a modeling knife to clean any flash from fins if required to ensure proper fit.



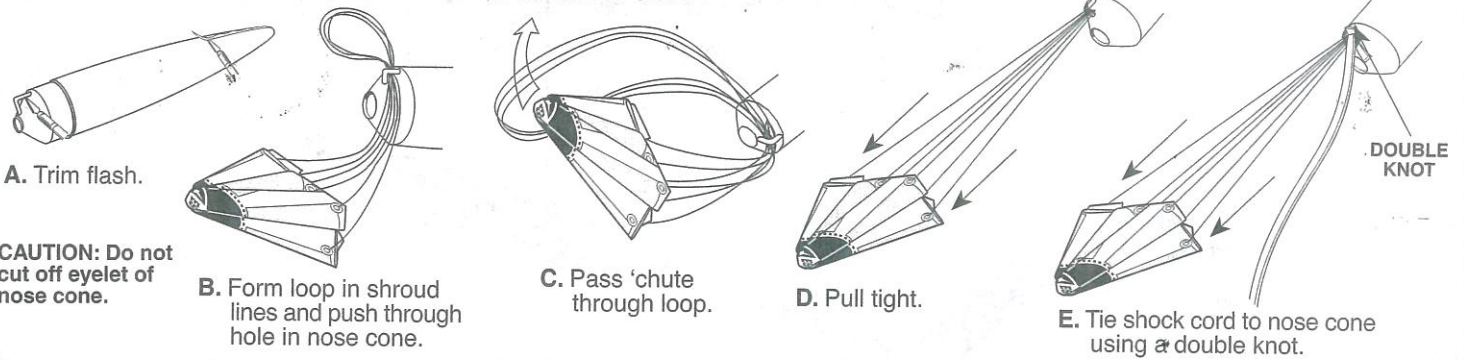
C. When satisfied with fit, apply plastic cement to the root edge of each fin and reinsert. Be sure fins are straight. Let dry completely before moving to step D.

NOTE: Fins must be attached correctly for a stable flight.

D. Push engine lock ring into engine mount and twist. Do not glue in place.



## 5. ATTACH PARACHUTE AND SHOCK CORD

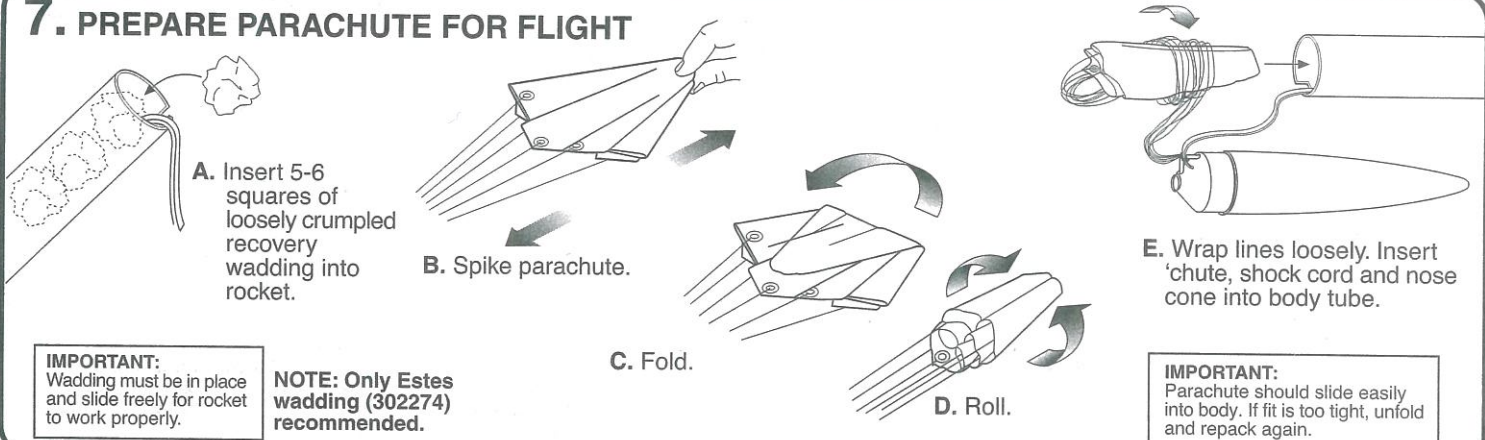


## 6. APPLY DECALS



**OPTIONAL:** Spray a clear coat on entire rocket after decal placement.

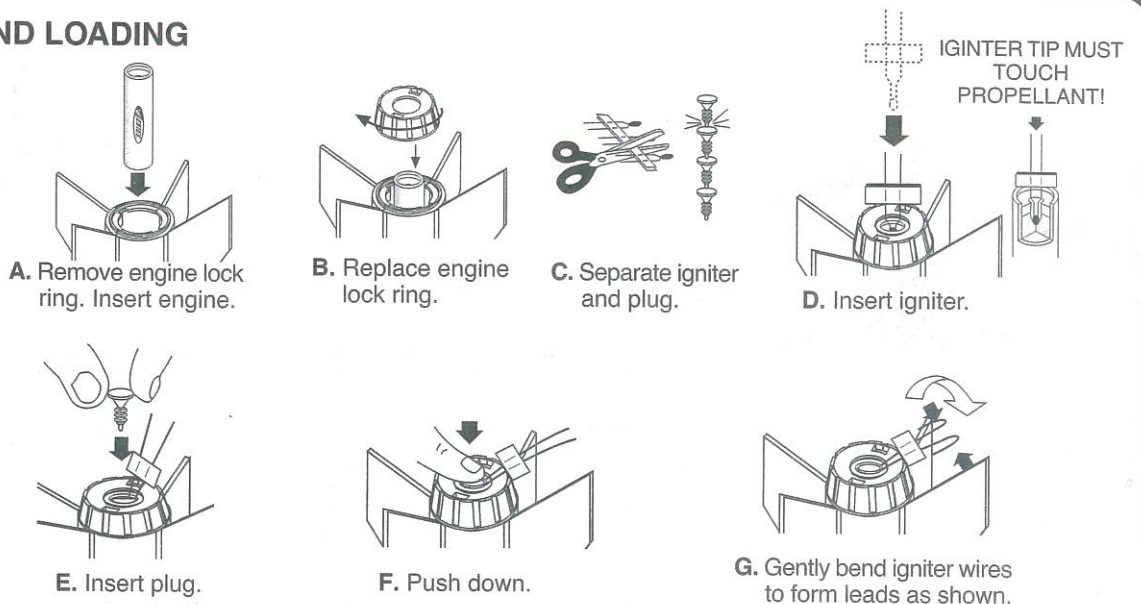
## 7. PREPARE PARACHUTE FOR FLIGHT



## 8. ENGINE PREP AND LOADING

### ⚠️ WARNING: FLAMMABLE

To avoid serious injury, read instructions & NAR Safety Code included with engines. **PREPARE ENGINE ONLY WHEN YOU ARE OUTSIDE AT THE LAUNCH SITE PREPARING TO LAUNCH!** If you do not use your prepared engine, remove the igniter before storing engine.





www.estesrockets.com

ESTES-COX CORP.  
1295 H Street  
Penrose, CO 81240

PRINTED IN CHINA

# crossfire™ ISX

## FLYING MODEL ROCKET KIT INSTRUCTIONS

KEEP FOR FUTURE REFERENCE

Tandem-X™  
Launch Set  
#1483

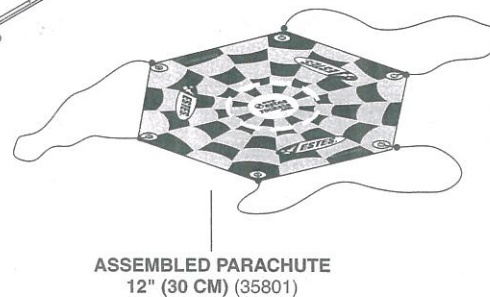
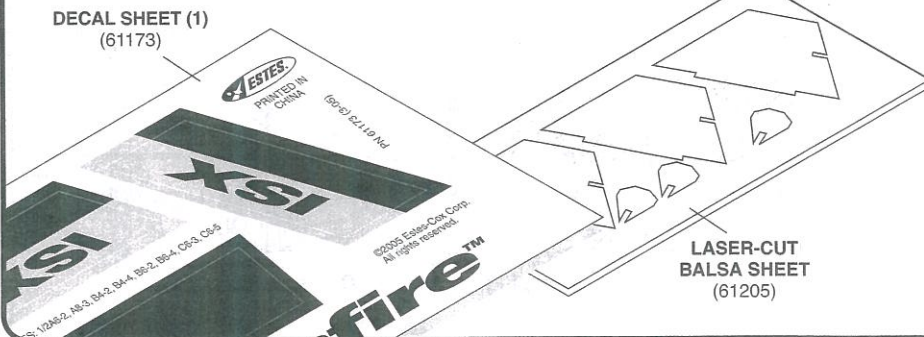
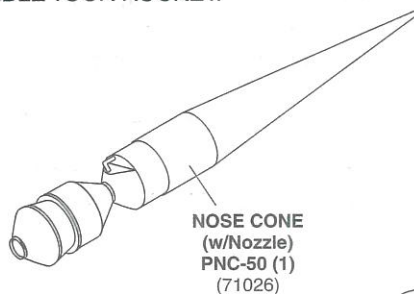
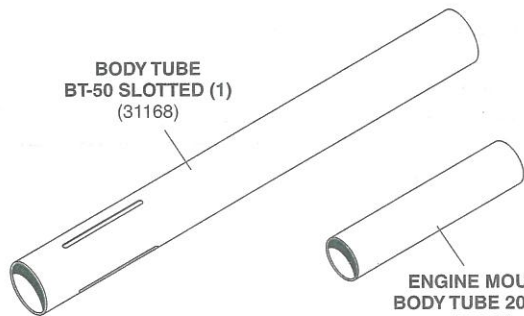
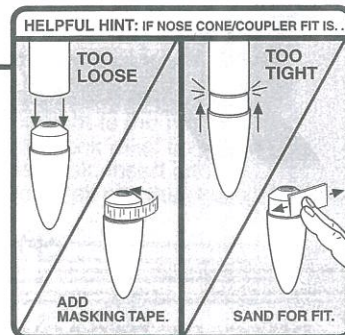
**ASSEMBLY TIP:** Read all instructions before beginning work on your model. Make sure you have all parts and supplies.

### TEST FIT ALL PARTS TOGETHER BEFORE APPLYING ANY GLUE!

If any parts don't fit properly, sand as required for precision assembly.



**PARTS** Locate the parts shown below and lay them out on the table in front of you. DO NOT USE THIS DRAWING TO ASSEMBLE YOUR ROCKET.



**SUPPLIES** In addition to the parts included in the kit you will also need:



SCISSORS



PENCIL



RULER



FINE SANDPAPER



CARPENTER'S GLUE



MODELING KNIFE



MASKING TAPE



HOBBY SAW



PLASTIC CEMENT



SPRAY PRIMER (WHITE)



SPRAY PAINT (WHITE & RED)



CLEAR SPRAY PRIMER (OPTIONAL)

# 1. PREPARE FINS

- A.** Using fine sand paper, sand both sides of balsa fin sheet.
- B.** Carefully cut fins free with modeling knife.
- C.** Stack fins together and sand edges smooth.
- D.** Optional: Round the leading edges.
- E.** Save scrap balsa to use as a glue applicator.
- 

# 2. ASSEMBLE ENGINE MOUNT

- A.** Measure and mark engine mount tube at 1/8" (3 mm), 5/8" (16 mm), 2 1/4" (5.7 cm) and 2-5/8" (6.7 cm).
- B.** Cut a 1/8" (3 mm) slit at the 2-1/4" (5.7 cm) mark.
- C.** Mark yellow spacer tool 1/2" (13 mm) from end.
- D.** Using a scrap piece of balsa apply carpenter's glue just short of the 2-1/4" (5.7 cm) mark inside engine mount tube.
- E.** Push green engine block into engine mount tube with yellow spacer tool up to 1/2" (13 mm) mark (so green engine block just clears the slit). **Remove yellow spacer tool immediately!** Let dry.
- F.** Position and insert engine hook into slit as shown.
- G.** Apply glue around engine mount tube just ahead of the 5/8" (16 mm) mark.
- H.** Slide one centering ring onto engine mount tube up to the 5/8" (16 mm) mark. Make sure engine hook is straight. Let dry.
- I.** Apply glue around engine mount tube just ahead of the 2-5/8" (6.7 cm) mark.
- J.** Slide second centering ring onto engine mount tube up to the 2-5/8" (6.7 cm) mark. Let dry.
- 

# 3. MARK LAUNCH LUG LINE

- A.** Draw a launch lug (LL) line the entire length of slotted body tube, centered between the slots on the body tube.
- B.** Measure and mark on (LL) line 3-1/4" (8.3 cm) from the end of the tube with the slots.
-